



Stockgap Limited
209 Watling Street
Stone, Dartford
DA2 6EG

—
T 01322 291717
sales@stockgap.co.uk
stockgap.co.uk



Therrawood

Wood Composite Deck, Fence & Railing System

[Product Overview](#)



Durable, cost effective and safe outdoor solutions

Products made from Therrawood use a unique blend of PVC, wood fibre and other proprietary component. Therrawood is an elegant, cost-effective, durable and safe alternative to wood for both residential and commercial outdoor recreational areas.

Innovation

The lifespan of wood is limited when exposed to moisture and insect damage. Wooden decks require chemical treatments to maintain appearance and structural integrity, screw heads can pop out over time and required maintenance generates extra cost which takes away time from your fun and relaxation. In addition, the safety of wooden structures can put friends and family at risk with splintered or slippery surfaces.



What makes Therrawood different?



Where most products on the market use HDPE we use PVC - this means:

Highest performance in slip resistance, completely different feel to other composite brands

Highly scratch resistant

Resistant to warping, which is ideal to UK climate conditions

Enhanced performance relating to heating and expansion

One of the thickest and strongest boards on the market

Dual sided – standard timber deck & wood effect, offering the customer 2 choices in 1 product

Environmentally friendly and completely recyclable

Hollowed boards allow for electrical wires to be concealed and aids heat dispersion

A comprehensive 20-year guarantee, offering real product confidence



Therrawood Decking

The unique 'groove and groove' design of Therrawood decking systems present a clean, unobstructed profile that enables proper drainage. All installation is completed using hidden fasteners made of stainless steel. Our special design allows unsightly electrical wires to be hidden inside the decking and the posts. The combination of these features provides an appealing appearance of a high quality product.



Therrawood decking systems present a clean, unobstructed profile that enables proper drainage.

20
Year
Warranty

Therrawood Decking

Therrawood decking boards have dual surfaces and it is recommended that you choose carefully which face you install.

If the decking is going to have to withstand heavy use that could cause scratching or staining (for example pets) we would recommend laying Therrawood decking with the ribbed side up.

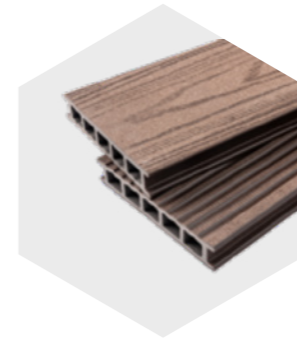
If you would like to discuss any aspect of your Therrawood Decking, please contact us:

T 01322 291717

enquiries@stockgap.co.uk



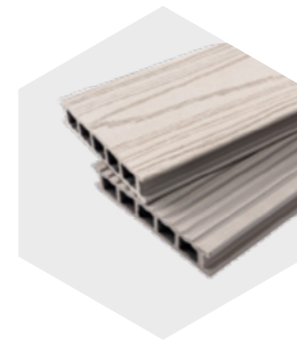
Stock colours include



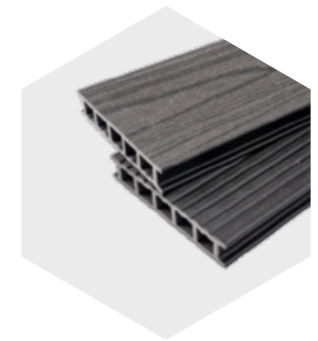
Hazelnut Brown 301



Tropical Brown 303



Stone Grey 304



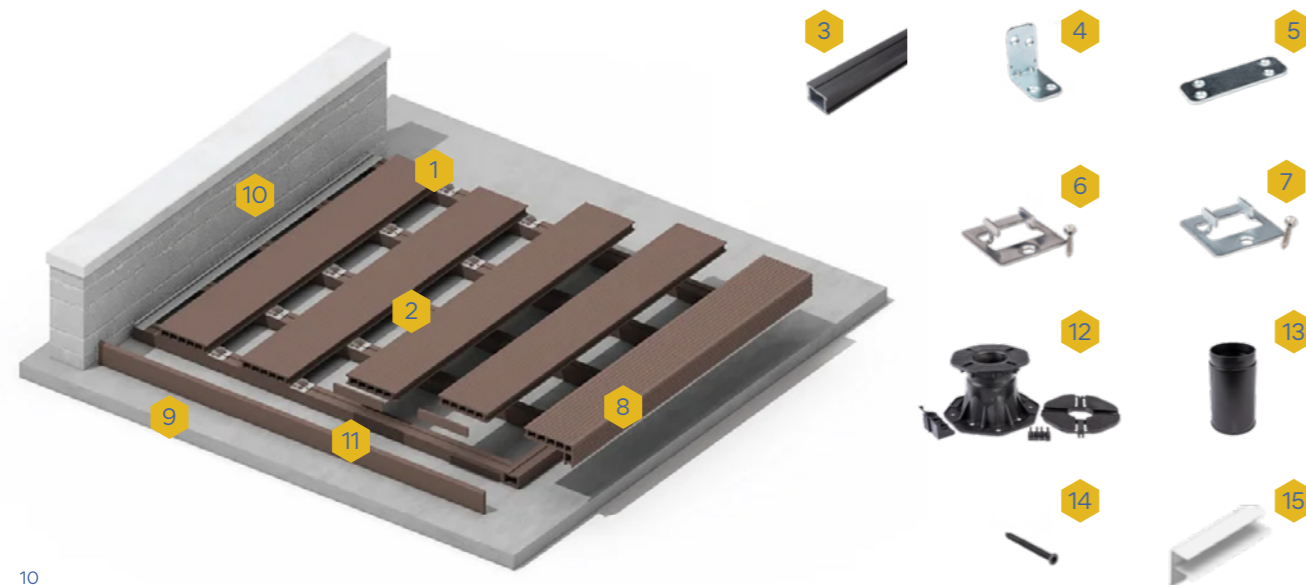
Anthracite 305



Therrawood Decking

Questions you will need to ask!

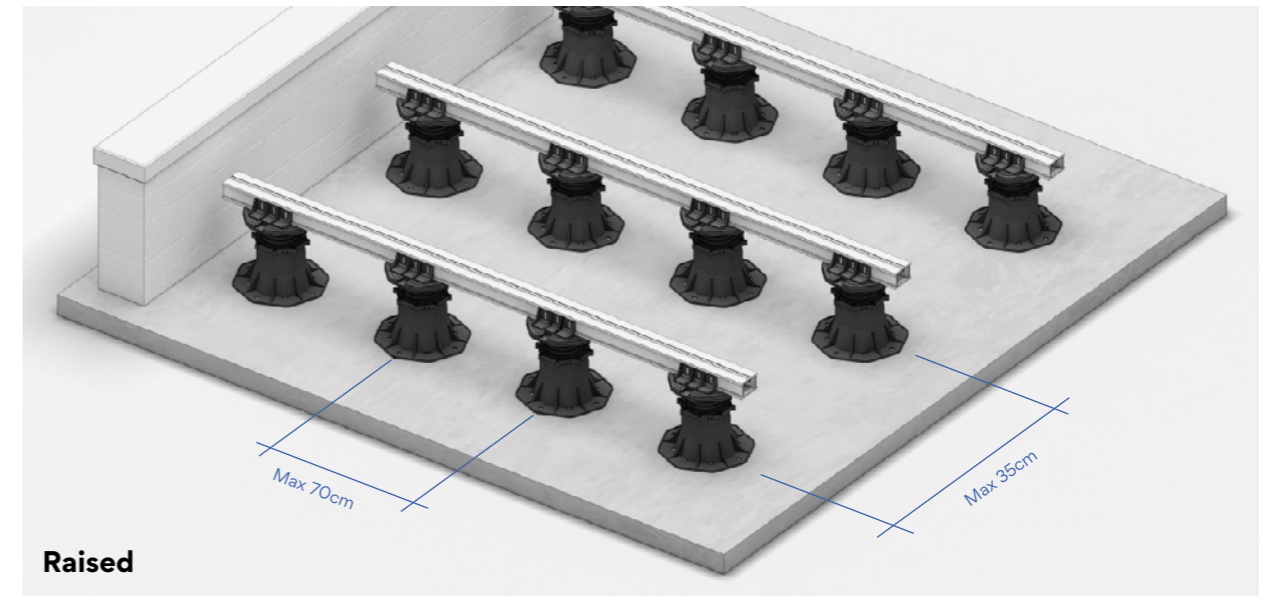
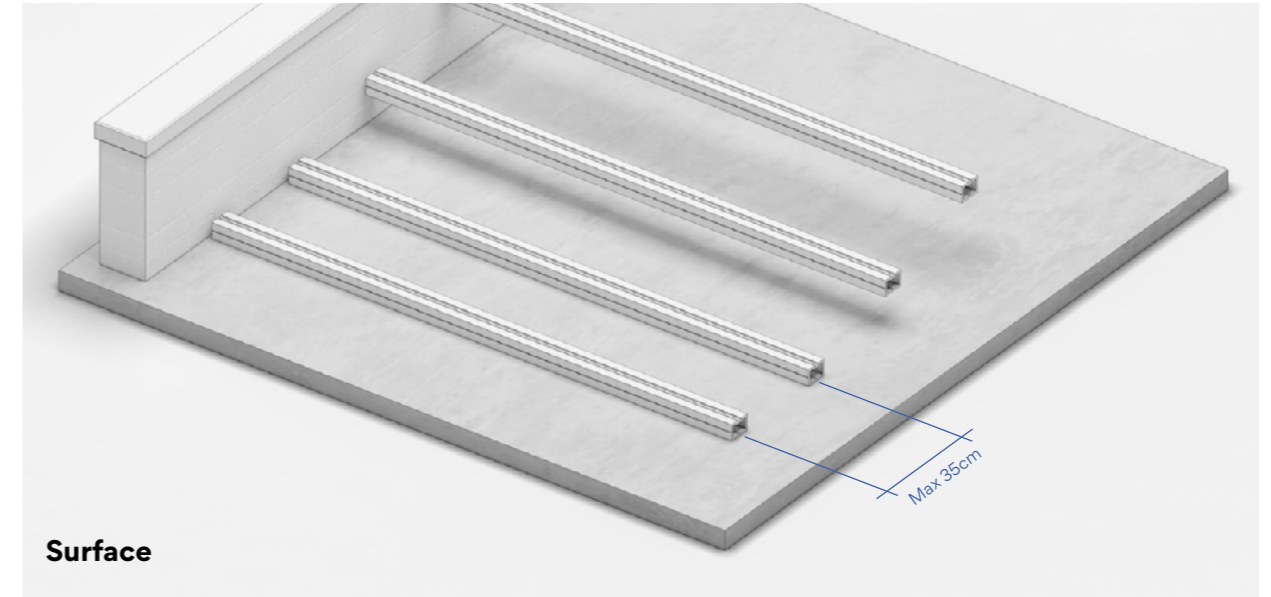
- What is the m² of decking required?
- How many sides will need trim? (Deck trim (8) deck cover profile (15) hybrid plinth (9) available or deck caps (11))
- What are they fixing to? If existing timber, joist may not be required. If directly onto concrete or paving, use composite joist.
- Joist should be fixed with buildex screws (14) if directly onto concrete or paving
- If the deck is raised use pedestals and hybrid joists (12 + 3)
- For raised decking cross beams use Joist corner bracket (4)
- To join two hybrid joists, use Joist extension bracket (5)
- Joist centres should be no more than 350mm centres
- 1m² = 2 deck boards
- 1m² = 20 hidden fasteners
- 1m² = 3.5 LM of joist



No.	Stockgap Code	Description
1	TWDECK (A,HB,SG,TB)	Decking Board 3600x140x26mm
2	TWJSTCB	Composite Joist Black 3600x45x38mm
3	TWJSTHAG	Hybrid Joist Black 3600x45x33mm
4	TWBRACKCO	Joist Corner Bracket
5	TWBRACKEX	Joist Extension Bracket
6	TWFASTG	Galvanised Decking Hidden Fasteners (90)
7	TWFASTSS	Stainless Steel Decking Hidden Fasteners (90)
8	TWTRIM (A,HB,SG,TB)	Decking Trim L Shaped 3600x140x26x60mm
9	TWPLINTHH (A,HB,SG,TB)	Hybrid Decking Trim 3600x60x8mm
10	TWSTART (HB,SG)	Start Up Profile 3600mm
11	TWCAP (A,HB,SG,TB)	Decking End Cap
12	TWPED (VARIOUS SIZES)	Universal Pedestal for Decking and Paving
13	TWPEEXT	120mm Pedestal Extension
14	TWSCREWB	Buildex Screws for Anchoring Joist to Concrete
15	TWCOV (DW,MI)	Therrawood Deck Cover Profile



Decking Installation Options



*See installation guide for further details.

Therrawood Railings

Although railings are often one of the last items to be selected and installed they are often the most prominent feature in any outdoor space. Until now you could chose from vinyl with its plastic chalky look, aluminum which will eventually oxidize or hollow composite products often requiring inserts for strength. We were not happy with those choices and as a result, designed our own hybrid system. Our railing system not only looks great but offers several advantages unique to our product.



Therrawood railings has unmatched strength, durability and a very attractive wood-like appearance.

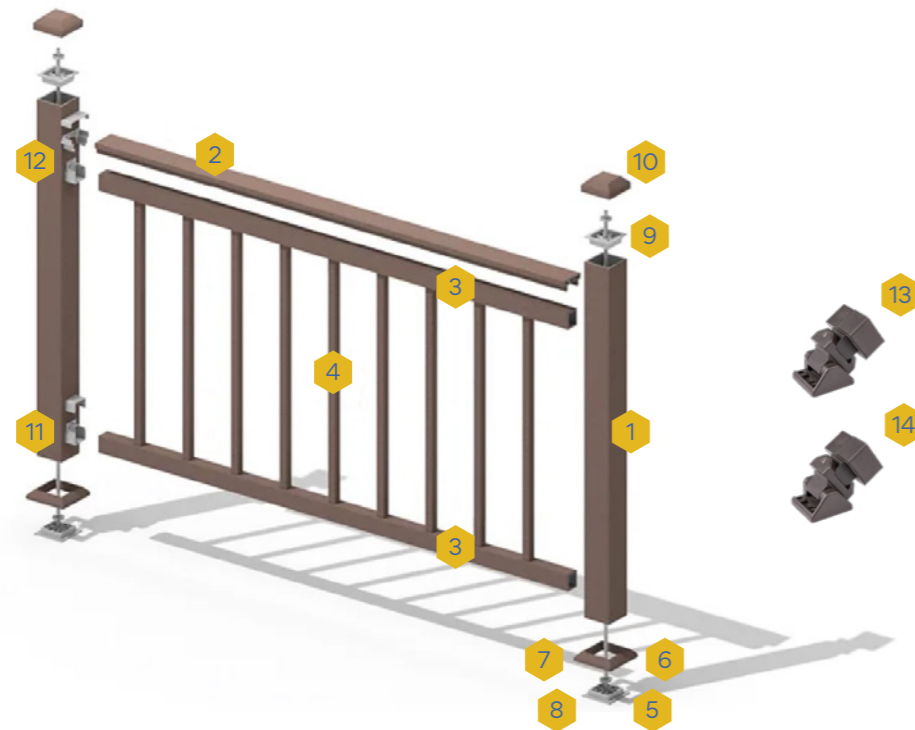
20
Year
Warranty

Therrawood Railings

Questions you will need to ask!

- How many meters of railing do you need? (our set size is 1.8m long by 1.2m tall)
- Are there any angles in the railing? (if yes, we will need to use Top and bottom rail swivel brackets vertical and horizontal (13 + 14))
- Are you using railing on stairs? (if yes, we will need to use Top and bottom rail swivel brackets vertical and horizontal (13 + 14))

Colours we offer are Hazelnut, Stone Grey and Anthracite



No.	Stockgap Code	Description
1	TWRPOST (A,HB,SG)	Railing Post 2400x64x64mm (can be cut in half)
2	TWRAILT (A,HB,SG)	Top Rail 1800x57x25mm
3	TWRAILB (A,HB,SG)	Balustrade Rail 1800x32x38mm
4	TWBALL (A,HB,SG)	Spindle 1000x18x18mm (17 no to a full run)
5	TWPBCONNN	Bottom Post Connector
6	TWSKIRT (A,HB,SG)	Bottom Post Skirt
7	TWROD15	Galvanised Threaded Rod M10 1500mm (Each Post)
8	TWNUT	Galvanised M10 Nut (2 Per Post)
9	TWPTCONN	Top Post Connector
10	TWRCAP (A,HB,SG)	Post Cap
11	TWBRCONN (A,HB,SG)	Bottom Rail Connector (2 Part)
12	TWTRCONN (A,HB,SG)	Top Rail Connector (3 Part)
13	TWBRSB2 (A,HB,SG)	Bottom Rail Swivel Bracket - Vertical/Horizontal
14	TWTRSB2 (A,HB,SG)	Top Rail Swivel Bracket - Vertical/Horizontal

Therrawood Fencing

Therrawood fences will transform your environment into a beautiful outdoor living area. This practical solution to privacy and protection offers all of the low-maintenance advantages of a durable composite material while avoiding the many disadvantages of traditional wood products.

After time most wood fences deteriorate and actually detract from your property's value. Therrawood fences make a design statement right from the start and will maintain that attractive new look for many years to come. Our fencing systems are easy to install, strong, durable, cost effective over time and protected by a 20 year limited warranty.



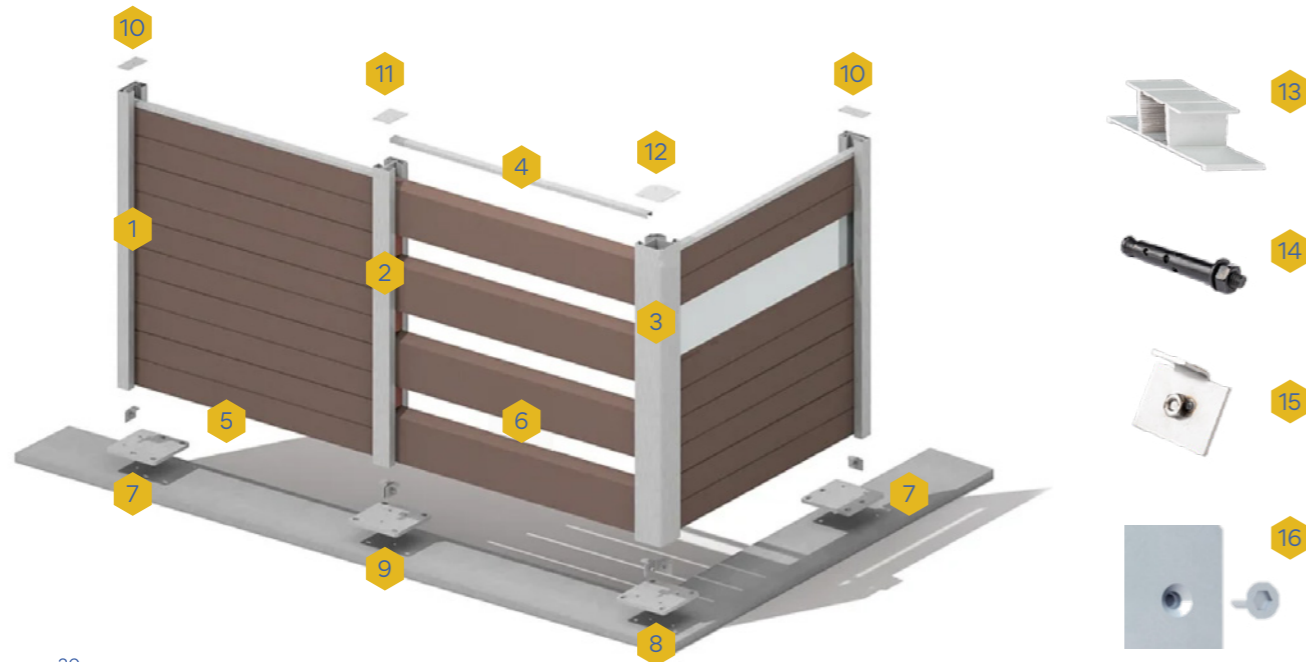
Therrawood fencing has long-term durability, easy installation and is cost effective.

20
Year
Warranty

Therrawood Fencing

Questions you will need to ask!

- Configuration of fence line. Is it a straight line or does it have right angles?
You will need this to determine which posts are required.
- Are you surface mounting or sinking in the ground?
- If surface mounting will need fixing plates? (7/8/9)
- Do you want closed or semi closed fencing?
- Semi closed module is 1.5m width and closed is 1.8m width



No.	Stockgap Code	Description
1	TWFAP5 (MI OR DG)	Start/End Post 2.2m
2	TWFAMP5 (MI OR DG)	Middle Post 2.2m
3	TWFACP5 (MI OR DG)	Corner Post 2.2m
4	TWFATR (MI OR DG)	Board Top Rail
5	TWFB150 (HB,SG OR A)	Closed Fence Board 1.8m (12)
6	TWFB125 (HB,SG OR A)	Semi Closed Fence Board 1.5m (12)
7	TWFAPP	Start/End Post Fixing Plate
8	TWFACPP	Corner Post Fixing Plate
9	TWFAMPP	Middle Post Fixing Plate
10	TWFACAP (MI OR DG)	Start/End Post Cap
11	TWFAMPCAP (MI OR DG)	Middle Post Cap
12	TWFACPCAP (MI OR DG)	Corner Post Cap
13	TWFSPACE5 (MI OR DG)	Semi Closed Board Spacer
14	TWFBOLT	M8 Expansion Bolt
15	TWFBHAN (SS)	Bottom Board Height Adjuster (2)
16	TWFM8SCREW	Therrawood M8 x 35 Screw (SS)

Therrawood Care and Maintenance



General Cleaning

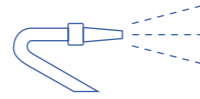
Use soapy water and a soft brush, hose down the surface after brushing.



Stubborn Stains

Use Therrawood deck cleaner and follow the instructions on the packaging.

If you would like to discuss any aspect of the care and maintenance of your Therrawood decking, please call our helpline on **01322 291 717**.



Deep Cleaning

Use a jet wash (using the fan spray) at approx. 250mm away from the surface to clear the deck of debris.



Snow and Ice

Avoid using metal tools that could damage the decking surface to clear snow or ice.

